

## G301CL Close Lock Full Extension Slide

Max load 72 kg · Locks closed

### Features

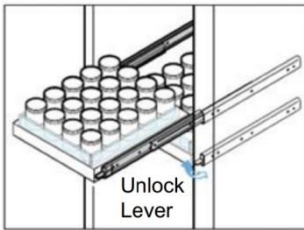
- Full extension, 3 members slide
- Drawer locks when fully closed
- Easier and safer to unlock the drawer since the unlock lever is at the end of the inner member



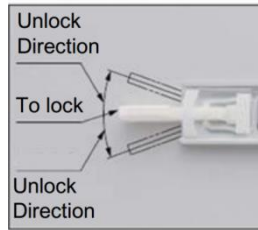
### Recommended Screws

- M4 binding or M4 truss screw

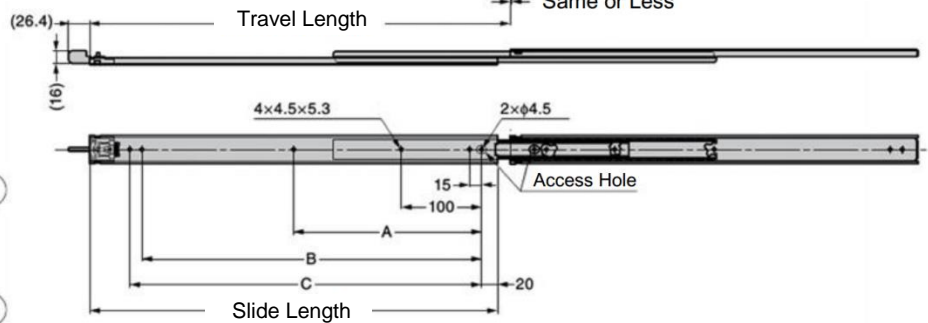
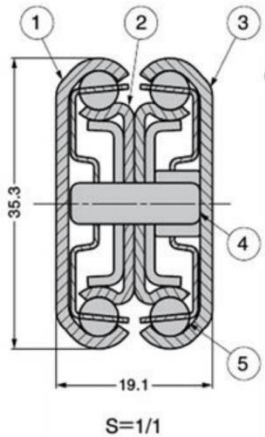
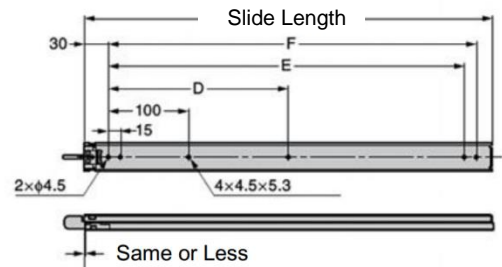
### Application



### How to Use Unlock Lever



No.	Part Name	Material	Finish/Colour
①	Outer Member	Steel(SPCC)	Clear Zinc Chromate (Trivalent)
②	Middle Member		
③	Inner Member		
④	Unlock Lever	Polyacetal (POM)	Plain
⑤	Steel Balls	Steel (SWCH)	-



Sold by piece

Part No.	Slide Length	Travel Length	A	B	C	D	E	F	Load Capacity (per pair)	
G301-12CL	304.8	320.4	-	219.8	234.8	-	239.8	254.8	707 N	72 kg
G301-14CL	355.6	374.2		270.6	285.6		290.6	305.6	680 N	69 kg
G301-16CL	406.4	422		321.4	336.4		341.4	356.4	644 N	66 kg
G301-18CL	457.2	472.8	208.6	372.2	387.2	198.6	392.2	407.2	600 N	61 kg
G301-20CL	508	523.6	234	423	438	224	443	458	573 N	59 kg
G301-22CL	558.8	574.4	259.4	473.8	488.8	249.4	493.8	508.8	521 N	53 kg
G301-24CL	609.6	625.2	284.8	524.6	539.6	274.8	544.6	559.6	459 N	47 kg
G301-26CL	660.4	676	310.2	575.4	590.4	300.2	595.4	610.4	424 N	43 kg
G301-28CL	711.2	726.3	335.6	626.2	641.2	325.6	646.2	661.2	362 N	37 kg